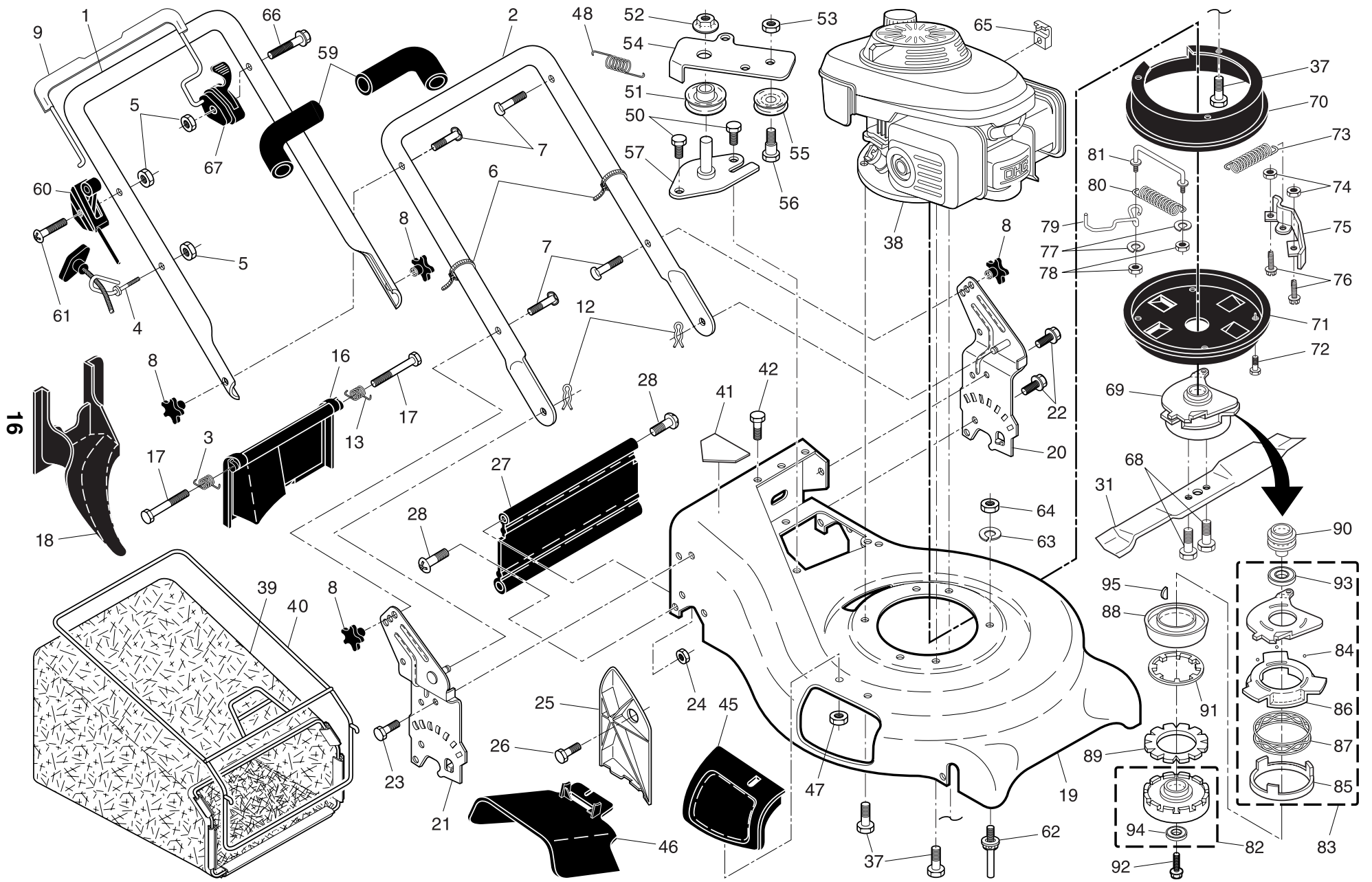


ROTARY LAWN MOWER - - MODEL NUMBER 5521BBC (9614500200) - PRODUCT NUMBER 961 45 00-02



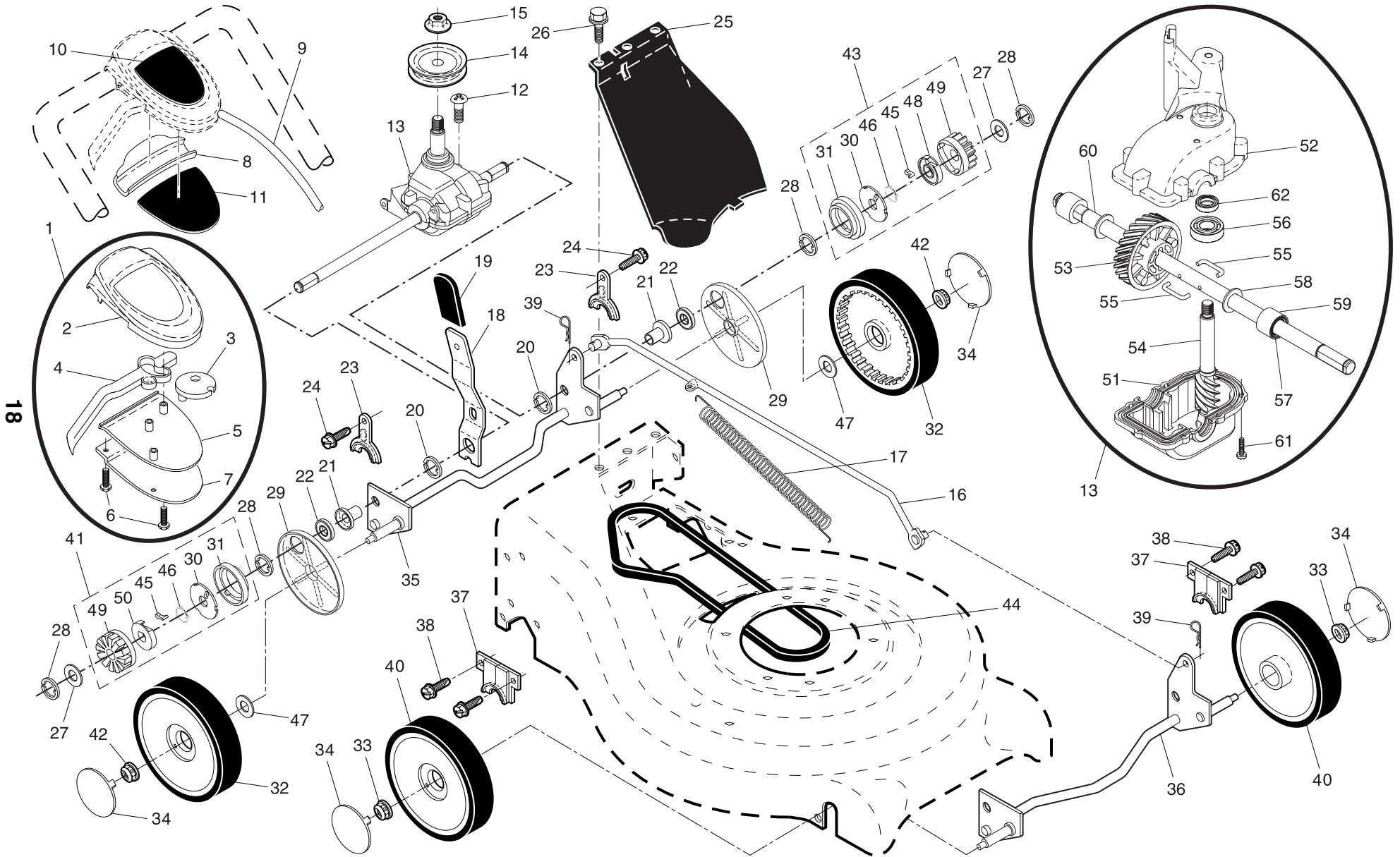
ROTARY LAWN MOWER - - MODEL NUMBER **5521BBC** (96145000200) - PRODUCT NUMBER 961 45 00-02

KEY NO.	PART NO.	DESCRIPTION	KEY NO.	PART NO.	DESCRIPTION
1	532 18 97-40	Handle, Upper (Includes Foam Grip)	54	532 18 58-98	Idler Arm
2	532 19 60-05	Handle, Lower	55	532 16 60-43	Idler Pulley
3	532 18 60-53	Spring, Rear Door, RH	56	532 16 08-29	Shoulder Bolt
4	532 17 95-85	Guide, Rope, Side	57	532 18 58-99	Bracket Assembly
5	532 13 20-04	Nut, Hex Lockwasher Insert 1/4-20	59	532 18 27-48	Grip, Handle, Foam, Smooth
6	532 06 64-26	Wire, Tie	60	532 19 12-57	Throttle / Engine Control
7	532 19 15-74	Bolt, Handle 5/16-18 x 1.75	61	532 18 33-65	Screw, Hex Head 1/4-20 x 2-1/8
8	532 18 55-88	Knob, Handle	62	532 18 21-31	Belt Guide, Stud
9	532 19 49-19	Bar, Control, Auto-Walk	64	873 90 06-00	Nut, Hex 3/8-16
10	532 18 88-21	Bolt, Carriage 5/16-18 unc	65	532 19 09-03	Bracket, Throttle
11	873 93 05-00	Nut, Hex, w/lockwasher 5/16-18 unc	66	532 18 99-37	Screw, Hex Washer Head 1/4-20 x 1/2
12	532 05 17-93	Cotter, Hairpin	67	532 18 37-07	Blade Brake / Clutch Control
13	532 18 60-52	Spring, Rear Door, LH	68	532 18 04-60	Bolt, Hex Head
16	532 19 05-74	Rear Door Assembly	69	- - -	Blade Brake / Clutch (Key Numbers 82-95)
17	532 18 41-93	Bolt, Rear Door	70	532 19 49-20	Belt Cover, Upper
18	532 18 75-35	Plug, Mulcher	71	532 18 01-91	Belt Cover, Lower
19	532 19 49-16	Kit, Housing	72	532 75 00-97	Screw, Tapping, Hex Washer Head #10-24
20	532 19 49-17	Handle Bracket Assembly, LH	73	532 18 03-93	Spring
21	532 19 49-18	Handle Bracket Assembly, RH	74	873 90 04-00	Nut, Hex, Centerlock, Zinc Plated 1/4-20
22	532 15 00-78	Screw, Hex Washer Head	75	532 19 09-29	Brake, Clutch
23	532 16 31-83	Bolt, Hex Head 5/16-18 x 5/8	76	874 78 04-10	Bolt, Hex Cap Head 1/4-20 x 5/8
24	873 80 05-00	Nut, Hex, with Lock Washer Insert 5/16-18	77	532 05 39-98	Washer, Flat
25	532 16 13-33	Baffle, Side	78	873 51 06-00	Nut, Hex 3/8-16
26	532 16 34-09	Screw 12 x 5/8	79	532 18 21-32	Belt Keeper
27	532 18 89-86	Skirt, Rear	80	532 18 03-94	Spring
28	532 08 86-52	Screw, Hinge 1/4-20 x 1.25	81	532 18 01-88	Link, Torque
31	532 18 04-59	Blade, 21"	82	532 19 50-49	Holder Assembly, Blade
37	532 15 04-06	Bolt, Engine	83	532 19 50-72	Plate Assembly, Ball Control
38	- - -	Engine, Honda, Model No. GCV160 (For engine service and replacement parts, call Honda at 1-800-426-7701)	84	532 19 50-53	Ball, Steel
39	532 19 47-16	Grassbag	85	532 19 50-73	Plate, Spring Hook
40	532 18 88-17	Frame, Grassbag	86	532 19 50-74	Plate, Brake
41	532 10 73-39	Danger Decal	87	532 19 50-57	Spring, Ball Plate
42	532 05 45-83	Screw	88	532 19 50-60	Disk, Drive
45	532 19 05-10	Mulcher Door Assembly	89	532 19 50-63	Disk, Driven
46	532 19 05-76	Deflector, Discharge	90	532 19 50-64	Pulley, Drive
47	532 08 83-49	Nut, Hex	91	532 19 50-65	Spring, Clutch
48	532 18 22-26	Spring, Return	92	532 19 50-67	Bolt, Flange (10 x 24)
50	532 05 78-08	Screw	93	532 19 50-68	Bearing, Radial Ball (6006)
51	532 18 45-43	Pulley Assembly, V-Groove	94	532 19 50-69	Bearing, Radial Ball (6204)
52	532 14 52-12	Flange Nut	95	532 19 50-70	Key, Woodruff (16 x 15)
53	532 15 55-52	Locknut	- -	532 16 23-00	Warning Decal (not shown)
			- -	532 19 45-38	Owner's Manual, English / French

NOTE: All component dimensions given in U.S. inches. 1 inch = 25.4 mm

IMPORTANT: Use only Original Equipment Manufacturer (O.E.M.) replacement parts. Failure to do so could be hazardous, damage your unit and void your warranty.

ROTARY LAWN MOWER - - MODEL NUMBER 5521BBC (96145000200) - PRODUCT NUMBER 961 45 00-02



ROTARY LAWN MOWER - - MODEL NUMBER 5521BBC (96145000200) - PRODUCT NUMBER 961 45 00-02

KEY NO.	PART NO.	DESCRIPTION	KEY NO.	PART NO.	DESCRIPTION
1	532 18 97-41	Drive Control Assembly, Auto-Walk	32	532 18 07-74	Wheel, Driven, Rear 9 x 2
2	532 18 82-79	Cover, Top, Auto-Walk Drive Control	33	532 08 39-23	Nut, Hex, Flangelock 3/8-16
3	532 18 73-53	Pulley	34	532 18 06-26	Hubcap
4	532 19 00-39	Lever, Auto-Walk Drive Control	35	532 19 12-05	Shaft Assembly, Rear
5	532 18 82-78	Cover, Bottom, Auto-Walk Drive Control	36	532 16 45-50	Shaft Assembly, Front
6	532 18 16-98	Screw, Phillips Head #10 x 5/8	37	532 16 14-63	Retainer, Front Shaft
7	532 18 70-97	Plate, Trigger, Auto-Walk Drive Control	38	532 16 34-09	Screw #12 x 5/8
8	532 18 62-97	Cap, Drive Control, Bottom	39	532 70 02-79	Clip, Retainer
9	532 19 02-84	Cable, Drive Control	40	532 15 03-39	Wheel, Front 8 x 2
10	532 18 90-74	Decal, Drive Control	41	532 18 83-30	Pinion Assembly, RH
11	532 18 59-13	Decal, Drive Control Adjustment (bottom)	42	532 14 52-12	Nut, Hex
12	532 18 76-53	Screw	43	532 18 83-31	Pinion Assembly, LH
13	532 18 86-45	Gear Case Assembly, Complete	44	532 18 22-12	V-Belt
14	532 18 94-08	Pulley, Drive	45	532 17 50-98	Pawl
15	532 13 20-10	Nut, Hex, Flangelock, Zinc Plated 3/8-16	46	532 18 82-91	Spring, Torsion
16	532 16 15-84	Rod, Connecting	47	532 06 77-25	Washer 1/2 x 1-1/2 x .134
17	532 16 16-02	Spring, Extension	48	532 17 51-05	Retainer, Drive, LH
18	532 19 07-94	Spring Selector	49	532 17 51-03	Gear, Pinion
19	532 19 06-22	Knob, Selector Spring	50	532 17 51-02	Retainer, Drive, RH
20	812 00 00-22	E-Ring	51	532 18 75-30	Case, Lower
21	532 16 33-65	Bearing, Support	52	532 18 75-31	Case, Upper
22	532 16 99-11	Bearing, Ball	53	532 18 75-32	Gear, 24 Teeth
23	532 16 45-55	Retainer, Drive Assembly, Stamped	54	532 18 75-33	Shaft, Input
24	532 05 78-08	Screw, Tapping, Hex Head 1/4-20 x .75	55	532 18 35-05	Wire, Formed
25	532 19 05-14	Cover Drive	56	532 18 35-06	Bearing, Ball
26	532 75 06-34	Screw, Threaded, Rolled #10-25 x .50	57	532 18 35-08	Seal, Output Shaft
27	532 05 21-60	Washer	58	532 18 35-09	Washer
28	812 00 00-58	E-Ring 7/16	59	532 18 35-11	Bushing
29	532 18 94-03	Cover, Dust, Wheel	60	532 19 12-49	Shaft, Output
30	532 17 51-04	Disc, Drive	61	532 18 35-13	Screw
31	532 18 41-72	Seal, Friction	62	532 18 35-14	Seal, Input Shaft

NOTE: All component dimensions given in U.S. inches. 1 inch = 25.4 mm

IMPORTANT: Use only Original Equipment Manufacturer (O.E.M.) replacement parts. Failure to do so could be hazardous, damage your unit and void your warranty.